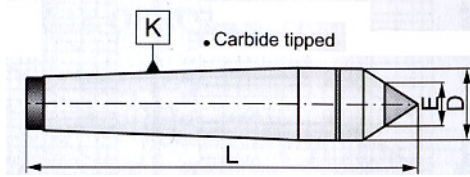




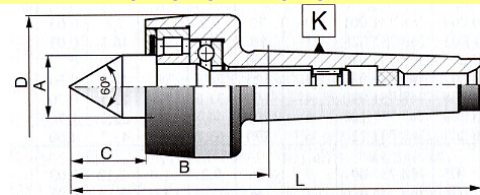
PONTOS ROTATIVOS

PONTO FIXO - PONTA METALDURO



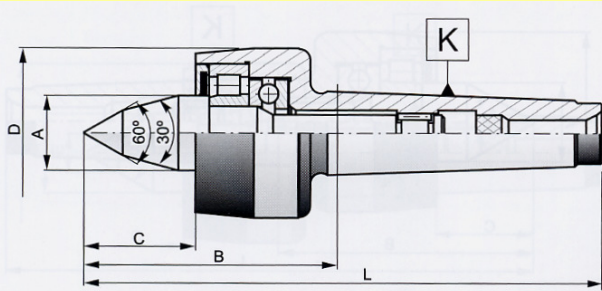
K	D	L	E	Kg	Ref.	€
CM-1	12.2	80	7	0.06	4687111	
CM-2	18	100	7	0.20	4687112	
CM-3	24.1	125	11	0.30	4687113	
CM-4	31.6	160	14	0.70	4687114	
CM-5	44.7	200	18	1.80	4687115	
CM-6	63.8	270	18	5.20	4687116	

PONTO ROTATIVO NORMAL



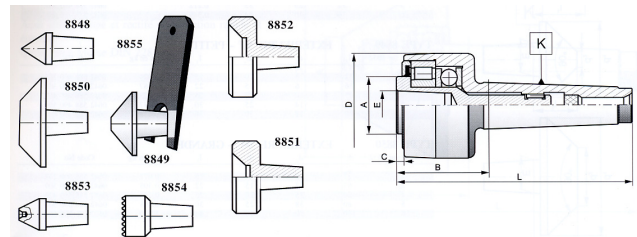
K	A	D	L	RPM	Ref.	€
1	15	38	103	5000	4688111	
2	18	40	120	5000	4688112	
3	25	56	156	4000	4688113	
4	28	64	184	3000	4688114	
5	41	85	237	2500	4688115	
6	63	130	333	2000	4688116	

PONTO ROTATIVO ALONGADO



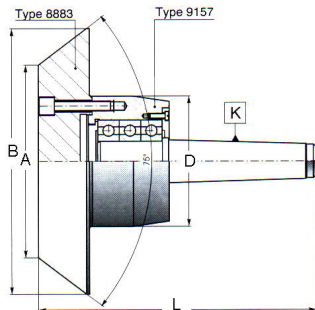
K	A	D	L	RPM	Ref.	€
CM-2	23	40	136.5	5000	4688142	
CM-3	28	56	166.8	4000	4688143	
CM-4	39	64	200.8	3000	4688144	
CM-5	50	85	258.5	2500	4688145	
CM-6	61	130	360.5	2000	4688146	

PONTOS ROTATIVOS INTERMUTAVEL



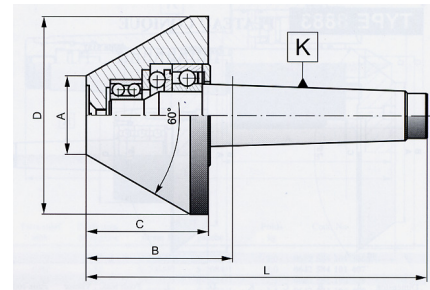
K	A	D	L	RPM	Ref.	€
2	18	43	105	5000	4688312	
3	25	56	132	4000	4688313	
4	41	74	164	3000	4688314	
5	41	85	200	2500	4688315	
6	63	130	276	200	4688316	

PONTO ROTATIVO DE CHAPELETA



K	A	B	L	Rpm	Ref.	€
3	95	150	180	4000	46888231	
3	145	200	180	4000	46888232	
4	95	150	206	3500	46888241	
4	145	200	206	3500	46888242	
4	195	250	206	3500	46888243	
4	145	200	215	3200	46888245	
4	195	250	215	3200	46888246	
4	245	300	215	3200	46888247	
5	145	200	242	3200	46888251	
5	195	250	242	3200	46888252	
5	245	300	242	3200	46888253	
5	195	250	245	3000	46888255	
5	245	300	245	3000	46888256	

PONTO ROTATIVO CONICOS A 60° P/TUBOS



CM	A	C	D	L	Ref.	€
1	20	35	50	93	4688251	
2	30	35	60	105	4688252	
2	30	53	80	123	46882521	
3	30	53	80	140	4688253	
3-1	40	61	100	148	46882531	
3-2	50	70	120	157	46882532	
4	40	61	100	171	4688254	
4-1	50	70	120	180	46882541	
4-2	70	70	140	180	46882542	
5	50	70	120	207	4688255	
5-1	100	70	170	207	46882551	